

# Masport®

## DOMESTIC ROTARY MOWERS

### SERIES 18

| <u>Part Number</u> | <u>Model</u>        | <u>Engine</u>      |
|--------------------|---------------------|--------------------|
| 567792             | 575 AL 2'n1 Instart | B & S Series 650iS |

Month and Year of First Manufacture - Sept 2017

Starting Serial Number - 8193730



Issue A.0  
ECN 03497  
Oct 2017 PB  
REF # 767792S

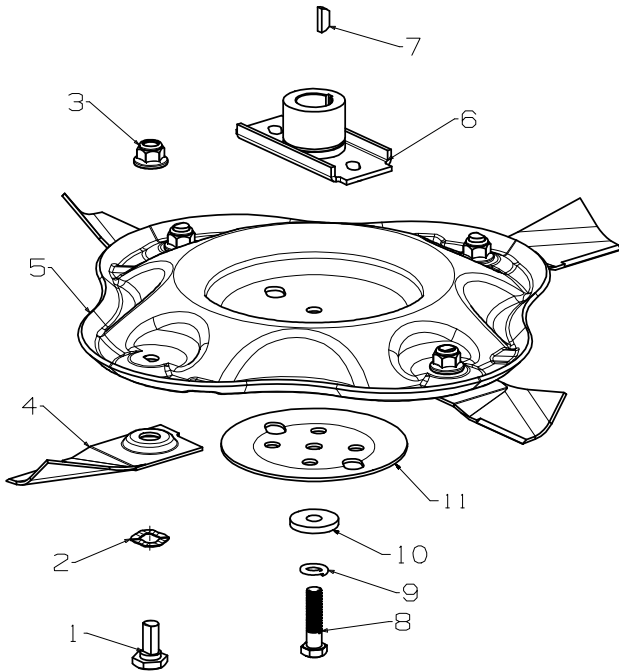


S18 575AL 2'n1 Instart

# Masport

Issue A.0  
 ECN 03497  
 Oct 2017 PB  
 REF # 767792S

## 460mm Disc Blade- Wavy, Assembly

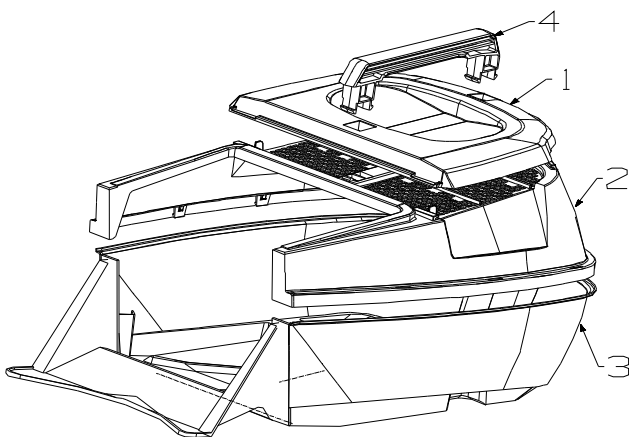


| Item | Part No | Description   | Qty |
|------|---------|---|-----|
| 1    | 581707  | Bolt- Pivot M10 x 22                                  | 4   |
| 2    | 580693  | Washer, Wavy 13.4 x 24.2                              | 4   |
| 3    | 503672  | Nut, M10 Hex Nyloc Flange                             | 4   |
| 4    | 980658  | Blade- Quick Cut, 460mm                               | 4   |
| 5    | 783314  | KIT-Disc Blade Wavy<br>(Includes items: 8, 9, 10, 11) | 1   |
| 6    | 014173  | Driver Assy- Blade, 7/8"                              | 1   |
| 7    | 500636  | Key, Woodruff - 5/8"x5/32"x1/4"                       | 1   |
| 8    | 503543  | Bolt; Hex NF 3/8" x 1.5 NYG8                          | 1   |
| 9    | 500204  | Washer, Spring 3/8"                                   | 1   |
| 10   | 503855  | Washer, Flat 9.75 x 30 x 4.0                          | 1   |
| 11   | 567332  | Plate- Stiffener, Disc Blade                          | 1   |

### Blade & Bolt Sets

- 783692    **Bolt Set (4)**  
Includes Items: 1, 2, 3
- 783480    **Blade-Quick Cut (4)**  
Includes Items: 1, 2, 3, 4
- 783481    **Disc Assy- Wavy (4 Blade) 460mm**  
Includes Items: 1, 2, 3, 4, 5, 8, 9, 10, 11

## 18" Catcher Assembly Plastic



| Item | Part No | Description               | Qty |
|------|---------|---------------------------|-----|
| 1    | 580674  | Catcher- Lid, 18"         | 1   |
| 2    | 579117  | Catcher- Top, 18"         | 1   |
| 3    | 583295  | Catcher- Btm, Brand Black | 1   |
| 4    | 580673  | Catcher- Handle, Plastic  | 1   |

### Replacement Catcher Assembly Options

**980670 Catcher Assy Black 18" with Unbranded Base**

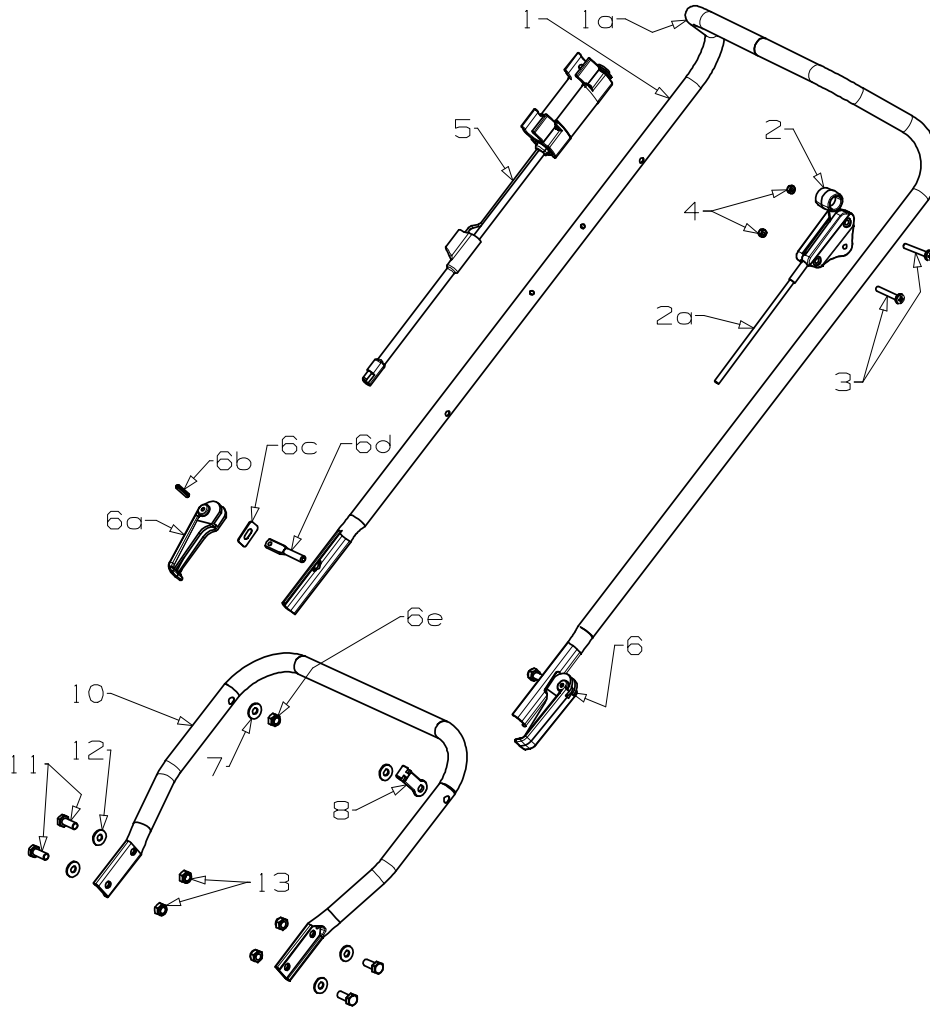
**783006 Catcher Assy (Branded) 18" with "Grass Full Indicator" & Black Base**



S18 575AL 2'n1 Instart

# Masport

Issue A.0  
ECN 03497  
Oct 2017 PB  
REF # 767792S



| Item No | Part No | Description                               | Qty | NOT ILLUSTRATED |                                   |
|---------|---------|---|-----|-----------------|-----------------------------------|
| 1/1a    | 767032  | Handle & Sleeve E/S SFT/BLK               | 1   | 503054          | Tie- Nylon, Cable 4               |
| 2/2a    | 779321  | <b>Throttle Ctrl + VE Red &amp; Cable</b> | 1   | 567545          | Decal, HSG"NON RUST ALLOY" 1      |
| 3       | 503700  | *Screw, Pan M5 x 35                       | 2   | 574151          | Charger - Battery 594501 INS NZ 1 |
| 4       | 503511  | *Nut, M5 Hex Nyloc                        | 2   | 574152          | Battery - Instart 593560 NZ/EU 1  |
| 5       | 574155  | Switch - Eng Instart Push Button          | 1   | 574439          | Instruction Sheet E/Start 1       |
| 6       | 779755  | <b>Cam Lock Assembly ( 1 per )</b>        | 2   | 579161          | Decal, Hsg S18 575AL CO 1         |
| 6a      | 582419  | *Lever- Handle Locking                    | 1   | 579405          | Decal, Noise 96db 1               |
| 6b      | 503369  | *Pin, Tension 5.0 x 22                    | 1   | 581180          | Instructions, Catcher Assy 1      |
| 6c      | 016777  | *Washer- Slipper                          | 1   | 582049          | Decal, Flap Caution Common 1      |
| 6d      | 583041  | *Stud- Handle Lock, 61mm                  | 1   | 582062          | Decal, Height Combo 1             |
| 6e      | 501793  | *Nut, M8 Hex Nyloc x 8mm thick            | 1   | 583152          | Owner Manual 1                    |
| 7       | 501606  | Washer, Flat 8 x 19 x 1.6                 | 2   |                 |                                   |
| 8       | 581527  | Retainer- Clutch, Cable                   | 1   |                 |                                   |
| 10      | 981257  | Handle-Lower, "U", 18" Black              | 1   |                 |                                   |
| 11      | 501598  | Set Screw, M8 x 25                        | 4   |                 |                                   |
| 12      | 501606  | Washer, Flat 8 x 19 x 1.6                 | 4   |                 |                                   |
| 13      | 501793  | Nut, M8 Hex Nyloc x 8mm thick             | 4   |                 |                                   |

When ordering PLEASE QUOTE PART NUMBER & Description, NOT Illustration No.  
Determine right or left hand side from standing in operating position (standing at handle).

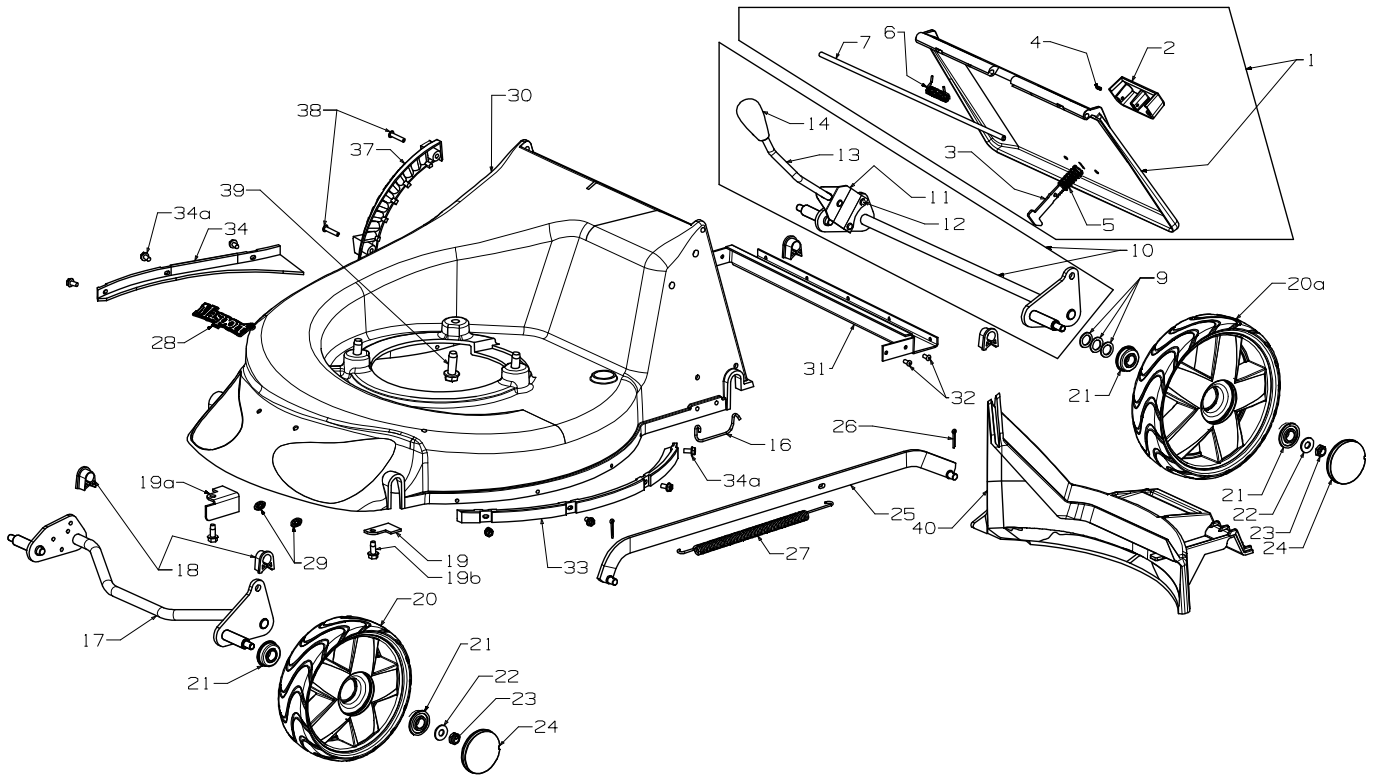
**Bold Text** = Assemblies, Bulleted Text \* = Items included in the Assemblies & may not be available as a spares item.



S18 575AL 2'n1 Instart

# Masport

Issue A.0  
ECN 03497  
Oct 2017 PB  
REF # 767792S



| Item No | Part No | Description                            | Qty | Item No | Part No | Description                      | Qty |
|---------|---------|--|-----|---------|---------|----------------------------------|-----|
| 1       | 782200  | <b>Flap Assembly- Plastic, Masport</b> | 1   | 21      | 551212  | Bearing- Wheel,Ball              | 8   |
| 2       | 580602  | *Handle-Flap                           | 1   | 22      | 501606  | Washer, Flat 8x19x1.6            | 4   |
| 3       | 981650  | *Latch-Flap, Barbed                    | 1   | 23      | 503831  | Nut, Nyloc M8 x 6mm thick        | 4   |
| 4       | 502019  | *Pin- Tension 3.0 x 8                  | 1   | 24      | 579202  | Hub Cap-Button Spoked, Black     | 4   |
| 5       | 581106  | *Spring-Flap Latch                     | 1   | 25      | 567516  | Rod Assy-Connecting, 18" Push    | 1   |
| 6       | 581528  | *Spring-Flap 18/20 Ali Deck            | 1   | 26      | 501056  | Pin, Cotter 2.3 x 16             | 2   |
| 7       | 581743  | *Wire-Flap Pivot 352 x 6mm             | 1   | 27      | 581463  | Spring-Counter Balance           | 1   |
| 9       | 503301  | Washer, Flat 1/2" x 3/4" x 18g         | 3   | 28      | 567406  | Nameplate, Masport               | 1   |
| 10      | 969398  | <b>Axle Assy-Rear, Complete</b>        | 1   | 29      | 503150  | Clip- Starlock, 5 Dia            | 2   |
| 11      | 580649  | *Spring- Leaf                          | 1   | 30      | 769392  | <b>HSG-ALI 18" MSV CO TTNM</b>   | 1   |
| 12      | 503373  | *Rivet- Flat Head, 3/16" x 27/64"      | 3   |         |         | (Includes items 28, 29, 31, 32 ) |     |
| 13      | 973681  | *Rod- Height Selector(MSV KNOB)        | 1   | 31      | 583267  | Brace - Rear, 18"                | 1   |
| 14      | 581729  | *Knob- Height, Lever Adj (MSV)         | 1   | 32      | 503201  | Rivet-Pop, 4.0 x 7.9 73SS5-5     | 4   |
| 16      | 580225  | Retainer-Axle, Rear, Ali Deck          | 2   | 33      | 581524  | Deflector- Air LH                | 1   |
| 17      | 983247  | Axle-Front, 175mm Threaded             | 1   | 34      | 581525  | Deflector- Air, RH               | 1   |
| 18      | 580030  | Bush-Pivot, Axle                       | 4   | 34a     | 503630  | Screw, S/Tapping 10 x 0.4        | 7   |
| 19      | 980564  | Retainer-Axle, Front "Plate"           | 1   | 37      | 580025  | Quadrant-Height Selector         | 1   |
| 19a     | 564301  | Plate-Retainer-Axle, RH 18"            | 1   | 38      | 503660  | Rivet-Pop 4.8 Dia x 9.0          | 2   |
| 19b     | 501599  | Screw, S/T 1/4x5/8 Hex                 | 2   | 39      | 580453  | Screw, Set NF 3/8x1-1/8 UNC      | 3   |
| 20      | 579200  | <b>Wheel Assy-175mm Spoked Black 2</b> | 2   | 40      | 583105  | Insert- Mulching, 18"            | 1   |
|         |         | (Includes 2 x 551212 per wheel)        |     |         |         |                                  |     |
| 20a     | 579201  | <b>Wheel Assy-200mm Spoked Black 2</b> | 2   |         |         |                                  |     |
|         |         | (Includes 2 x 551212 per wheel)        |     |         |         |                                  |     |

When ordering PLEASE QUOTE PART NUMBER & Description, NOT Illustration No.

Determine right or left hand side from standing in operating position (standing at handle).

**Bold Text** = Assemblies, Bulleted Text \* = Items included in the Assemblies & may not be available as a spares item.